

## GVS-901-19mm

Clear Glass Vessel Sink

### Sink Dimensions

Dimensions: 16 1/2" x 16 1/2" x 6"

### Features

- Solid Tempered Glass
- Vessel Sink
- 19mm Thickness
- 1 3/4" Drain Hole Size
- Without Overflow

### CODES/STANDARDS:

#### Product Certification

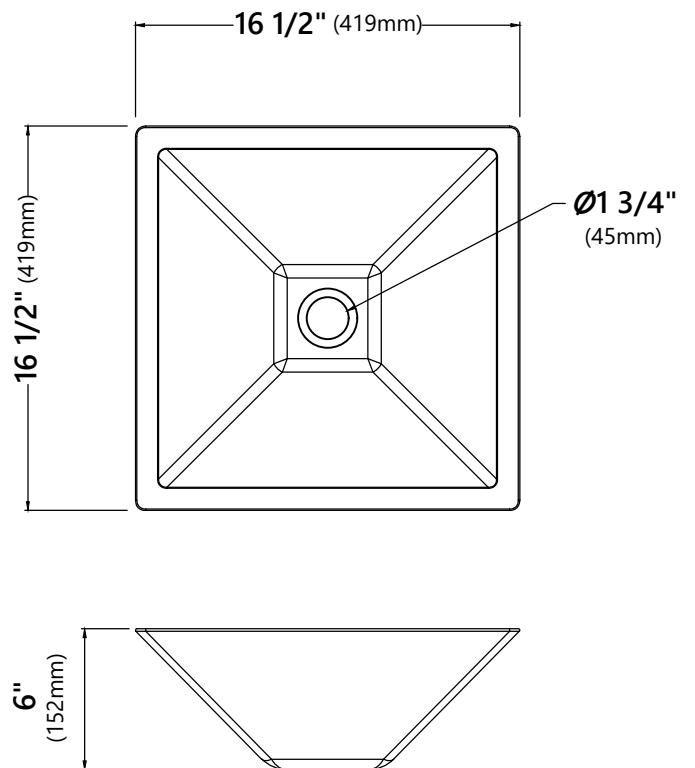
cUPC certified, MASS Approved, ADA compliant



### Warranty

Kraus Limited Lifetime Warranty

see website for details [www.kraususa.com](http://www.kraususa.com)



## PU-10

### Pop Up Drain w/o Overflow

#### Pop Up Dimensions

Dimensions: 8 5/8" x Ø2 5/8"

#### Features

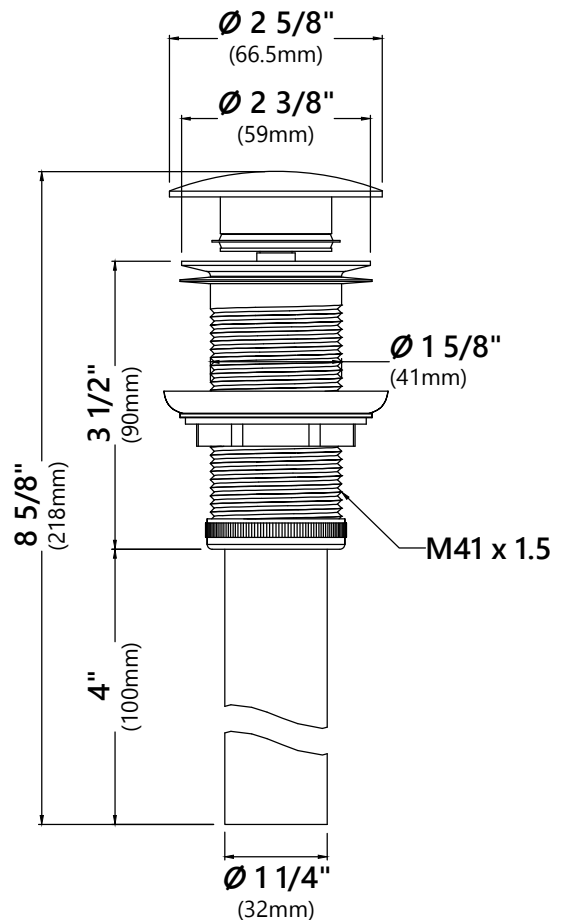
- Metal Construction
- Connection 1 1/4"
- Designed to Use w/ Above-Counter Vessel Sinks without overflow
- Fits Standard 1 3/4" Drain Opening

#### Available Colors

- Satin Nickel
- Gold
- Oil Rubbed Bronze
- Chrome
- Brushed Gold
- Matte Black

#### CODES/STANDARDS:

Product Certification  
cUPC



#### Warranty

Kraus Limited Lifetime Warranty

see website for details [www.kraususa.com](http://www.kraususa.com)

## MR-1 Mounting Ring

### Mounting Ring Dimensions

Overall Dimensions:  $\varnothing 3 \frac{1}{8}''$  x  $\frac{3}{8}''$

### Features

- Brass Construction
- Designed to Use with Above Counter Vessel Sinks without Overflow
- Fits Standard Drain Assembly without Overflow

### Available Finishes

- Chrome
- Gold
- Oil Rubbed Bronze
- Satin Nickel



### Warranty

Kraus Limited Lifetime Warranty

see website for details [www.kraususa.com](http://www.kraususa.com)

